

FLIP CAP Protective Cap



The Castell protective cap is used to help prevent dust ingress into the lock portion. The cap can easily be fitted to existing Castell locks. In addition, the cap can be also padlocked closed to prevent lock operation during maintenance.

USAGE

The Castell FLIP-S is a stainless steel padlockable protective cap and is used to help prevent dust ingress into the lock.

1



2



3



TECHNICAL DATA

Temperature rating	Minimum: -40°C [-40°F] ice free for Q & FS lock type
	Maximum: 107°C [224.6°F] for Q lock type/140°C [284°F] for FS lock type
Weight	0.1 kg
Material	Stainless steel

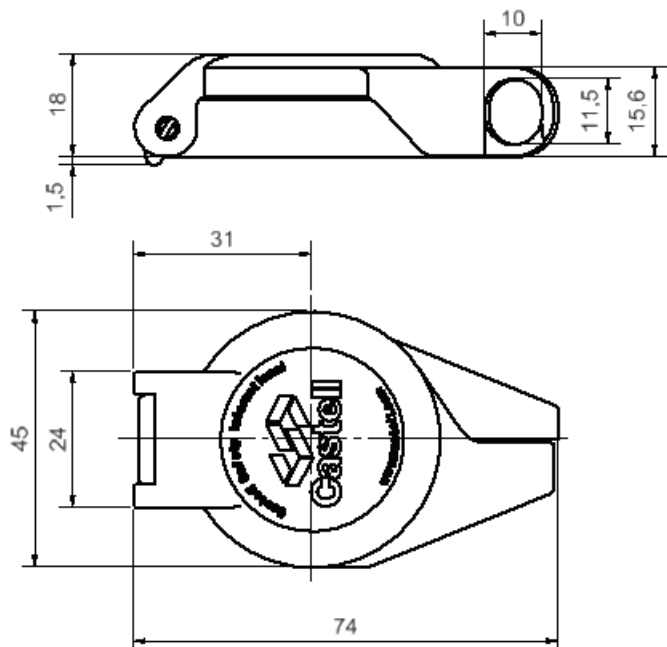
No hazardous substances were used in the manufacture of this product.

FLIP CAP Protective Cap

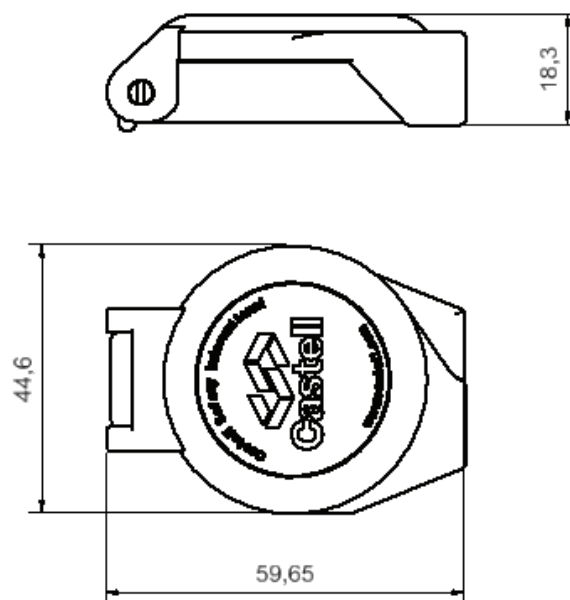
DRAWING

Dimensions: in mm

FLIP-S (PADLOCKABLE)



FLIP-S NON PADLOCKABLE



ORDER INFORMATION

Part number **Component type** **1**
FLIP - **S**



FLIP - **S** **NON PADLOCKABLE**



CONTACT INFORMATION

Castell Safety

The Castell Building, 217 Kingsbury Road, London, NW9 9PQ UK
t: +44 (0)20 8200 1200 | f: +44 (0)20 8205 0055 | e: sales@castell.com