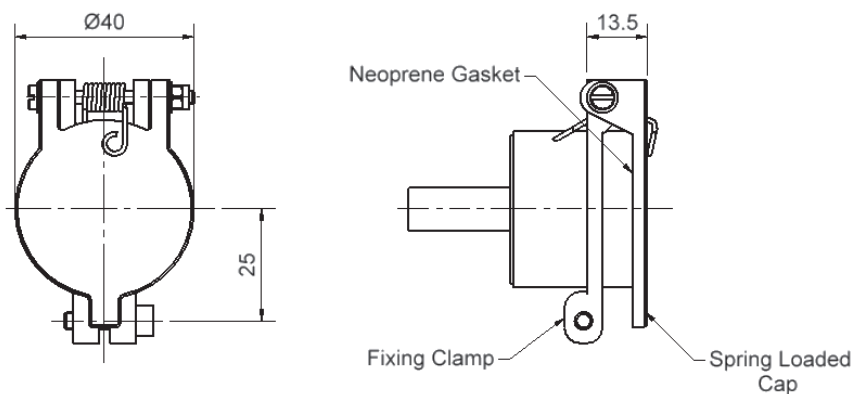


The Castell MLM-100 is a chrome plated brass sprung protective cap and is used to prevent dust ingress into the Castell Mistura style lock portion.

MLM-100

### Drawing



MLM - 100

### Order Information

Product Type  
Part Number  -